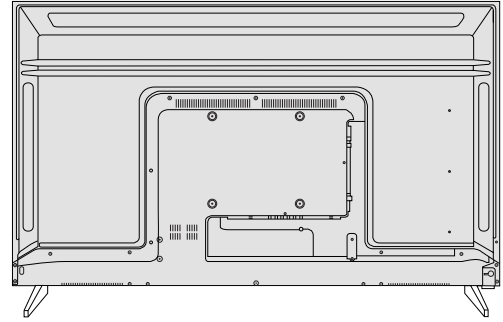
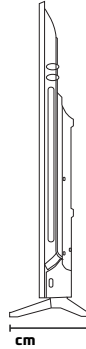


# weston

## PRODUCT INTRODUCTION FORM

## 50WS3204 4K webOS LED TV

### PRODUCT IMAGES



### PRODUCT TECHNICAL SPECIFICATIONS

#### Screen

50" 4K webOS LED TV

3840x2160 Resolution

Framed Screen

A Class 16:9 DLED Screen

#### Smart TV and System Features

webOS Operation System

1.5 GB RAM

8 GB Internal Memory

Multi-Language Supported OSD

#### Sound

2x8W Audio Output Power (RMS)

Multiple Sound Modes (Cinema, Music, etc.)

#### Links

WIFI & LAN Connection - Bluetooth Function

DVB S/S2/C/T/T2 Suitable for Publications

1xTerrestrial Antenna (RF) Input

3xHDMI - 2xUSB - 1xAV Input - 1xLNB Input

1xCI Module Input - 1xRJ45 Ethernet Input

1xDigital Audio Output - 1xHeadphone Out.

#### Power/Energy

G Energy Class

<1W Energy Consumption in Standby Mode.

81 (kWh/ 1000h) Energy Consumption

83 (kWh/ 1000h) HDR Energy Consumption

#### Video

Display Modes (Vivid, Normal, Sports, etc.)

4K

#### Accessories

Smart Remote Control - Quick Start Guide

### PRODUCT AND PACKAGING DIMENSIONS INFORMATION

Packaging Size : 1180mm x 125mm x 730mm

Product Gross Weight : 12.180 kg

Product Net Weight : 10 kg

WESA Compliance : 200mm x 200mm

EAN Code : 8680621510137

Origin : Türkiye

### PRODUCT PACKAGING WORK



### REMOTE CONTROL

